



## ※ Submersible pumps 4 poles (1450 min<sup>-1</sup>)



### PERFORMANCE RANGE

- Flow rate up to **2900 l/min** (174 m<sup>3</sup>/h)
- Head up to **16 m**

### INSTALLATION AND USE

The **MC4** series is constructed from thick stainless steel and cast iron, offering exceptional robustness, abrasion resistance, and durability. Equipped with a **TWO-CHANNEL** impeller, the pumps are designed to **drain liquids containing suspended solids and short fibers, as well as sewage**, sludge-mixed water, groundwater, and surface water.

They are suitable for a wide range of applications, including apartment buildings, public facilities, industries, parking facilities, washing areas.

### ELECTRIC MOTOR

- ※ **The electric motor is safeguarded by a special three-phase thermal protector, situated within the motor, which activates in case of overheating or abnormal power consumption.**

### INCLUDES

- ※ Power cable length **10 m**

### APPLICATION LIMITS

- Depth below water level up to **10 m** (with an appropriately sized power cable)
- Liquid temperature up to **+40 °C**
- Capable of processing suspended solids up to **Ø 55 mm**
- **Minimum immersion for continuous service: 550 mm**

### AVAILABLE UPON REQUEST

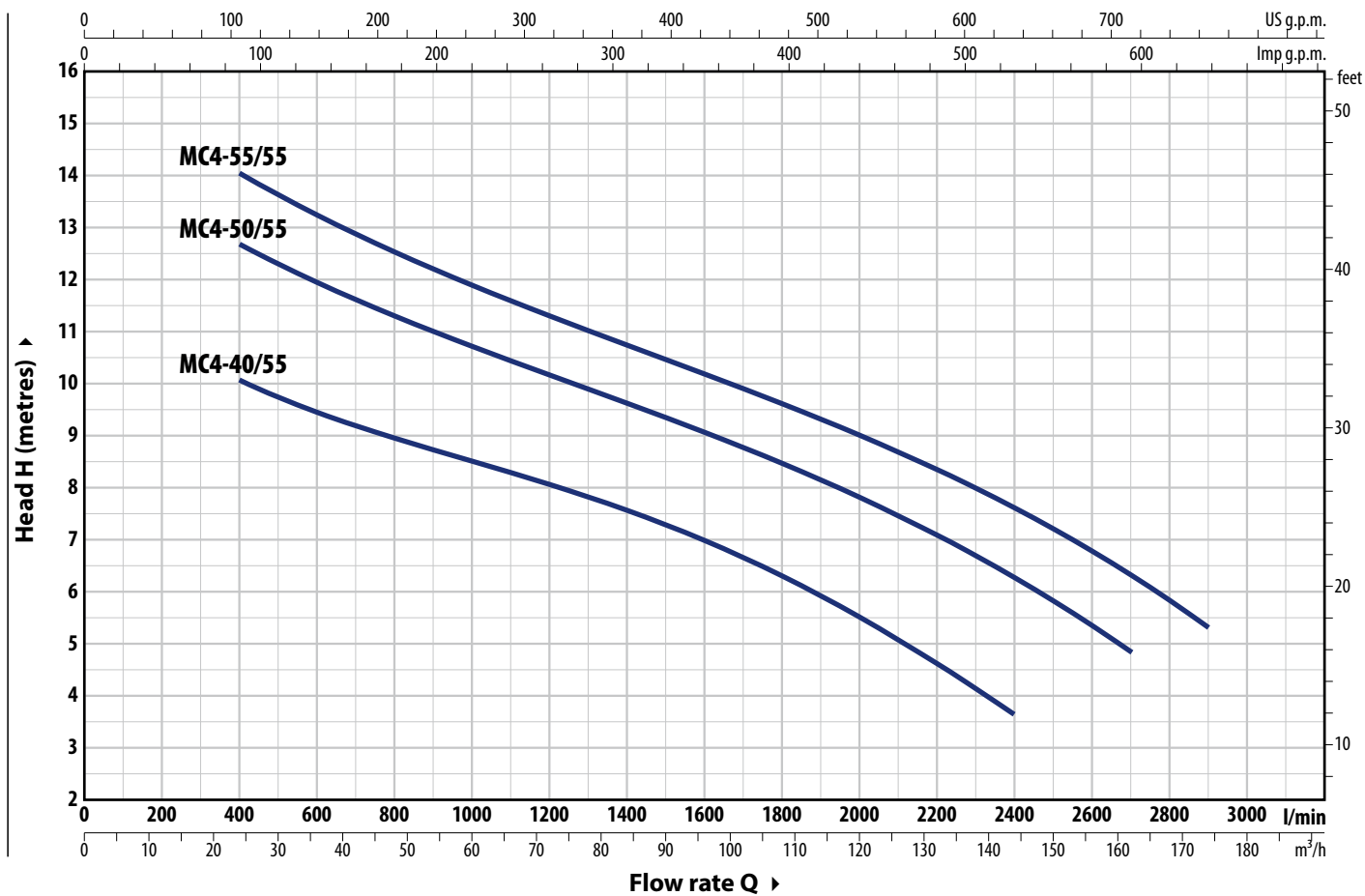
- ※ Pumps equipped with internal probes that detect the presence of water in the oil chamber

### PATENTS - TRADE MARKS - MODELS

- Registered Community Model No. 003863158-0004

## CURVES AND PERFORMANCE DATA – n= 1450 min<sup>-1</sup>

**50 Hz**



TYPE Three-phase	POWER (P <sub>2</sub> )		Q	Flow rate													
	kW	HP		m <sup>3</sup> /h	0	24	48	72	96	108	120	132	144	162	174		
MC4-40/55	3	4	H metres	0	400	800	1200	1600	1800	2000	2200	2400	2700	2900			
MC4-50/55	3.7	5		12	10	9	8	7	6.3	5.5	4.6	3.6					
MC4-55/55	4	5.5		14.5	12.6	11.3	10	9	8.4	7.8	7	6.2	4.8				
				16	14	12.5	11.3	10.2	9.6	9	8.3	7.6	6.3	5.3			

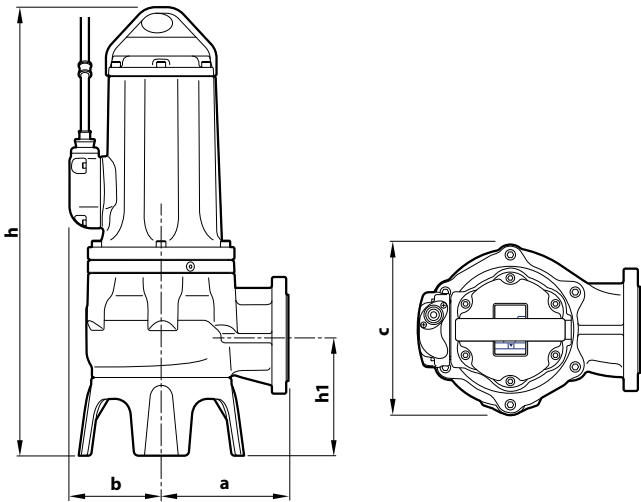
Q = Flow rate H = Total manometric head

Performance curves comply with EN ISO 9906 Grade 3B tolerance limits.

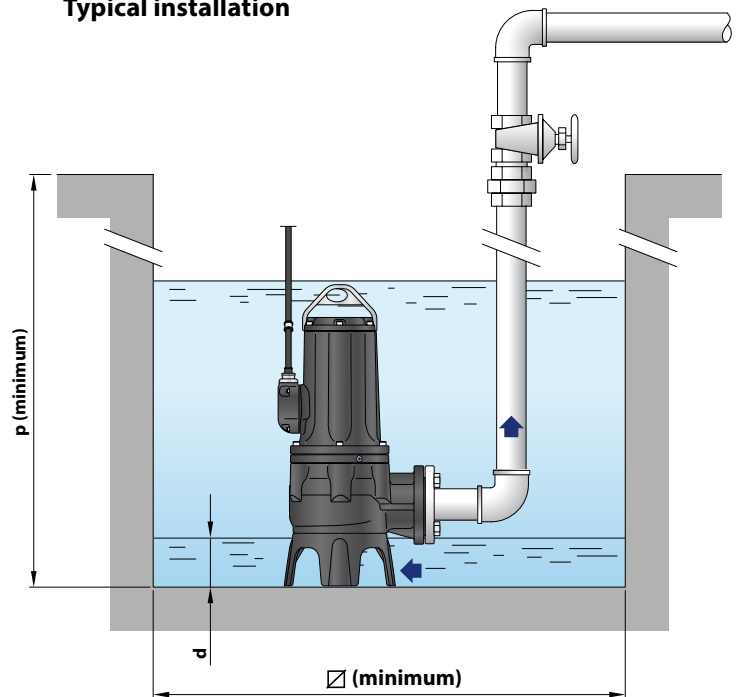
## ABSORPTION

TYPE Three-phase	VOLTAGE 400 V
MC4-40/55	5.5 A
MC4-50/55	7.7 A
MC4-55/55	8.3 A

### DIMENSIONS AND WEIGHT

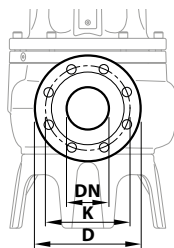


### Typical installation



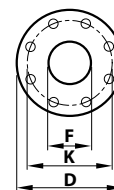
TYPE	Passage of solid bodies	DIMENSIONS mm								kg
		a	b	c	h	h1	d	p	$\varnothing$	
<b>Three-phase</b>										3~
<b>MC4-40/55</b>	<b><math>\varnothing</math> 55 mm</b>	248	165	320	792	228	140	1000	1000	125.2
<b>MC4-50/55</b>										133.0
<b>MC4-55/55</b>										136.0

### PORT FLANGE



### COUNTERFLANGE

(CAN BE ORDERED SEPARATELY)



TYPE	FLANGE	K	D	HOLES	
				N°	$\varnothing$ (mm)
<b>Three-phase</b>	<b>DN</b>	<b>mm</b>	<b>mm</b>		
<b>MC4-40/55</b>	<b>80</b> (PN10)	160	200	8	18
<b>MC4-50/55</b>					
<b>MC4-55/55</b>					

TYPE	FLANGE	F	K	D	HOLES	
					N°	$\varnothing$ (mm)
<b>Three-phase</b>	<b>DN</b>		<b>mm</b>	<b>mm</b>		
<b>MC4-40/55</b>	<b>80</b>	3"	160	200	8	18
<b>MC4-50/55</b>						
<b>MC4-55/55</b>						

### PALLET CAPACITY

TYPE	NO. OF PUMPS
<b>Three-phase</b>	
<b>MC4-40/55</b>	4
<b>MC4-50/55</b>	4
<b>MC4-55/55</b>	4

## MATERIALS AND COMPONENTS

**1 Pump body** Cast iron with cathoresis treatment

**2 Base** Cast iron with cathoresis treatment

**3 Impeller** TWO-CHANNEL cast iron type with cathoresis treatment

**4 Motor holder** Cast iron with cathoresis treatment

**5 Motor cover** Cast iron with cathoresis treatment

**6 Motor shaft** Stainless steel **AISI 431**

### 7 Double mechanical seal with interposed oil chamber

Seal	Shaft	Location	Materials
<b>MG91-40D</b>	Ø 40 mm	Motor side Pump side	Silicon carbide / Graphite / NBR Silicon carbide/Silicon carbide/NBR

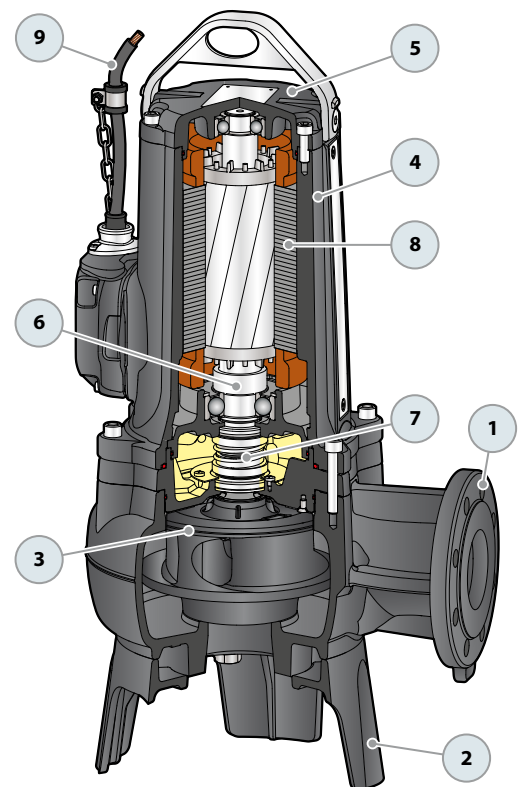
### 8 Electric motor

Three-phase 400 V - 50Hz  
with winding integrated thermal motor protection

- Insulation: class F
- Protection rating: IP X8

### 9 Power cord

※ 10 metres 'H07 RN-F' type



# SEWAGE LIFTING SYSTEM VXC4 - MC4

## VERSION WITH VERTICAL DELIVERY AND 2" GUIDE TUBES

For <b>VXC4</b>	Code ASSPVXC4V	DN <b>4"</b>
For <b>MC4</b>	Code ASSPMC4V	DN <b>3"</b>

※ **Kit consisting of:**



Coupling foot complete with counterflange



Slide rail with screws and gasket



Support for guide tubes



## ACCESSORIES AVAILABLE FOR ORDER

### RUNNING GUIDE

※ For VXC4	Code ASSFL100
※ For MC4	Code ASSFL080

Complete with screws and seals

### INTERMEDIATE GUIDE TUBE SUPPORT

※ For guide tubes Ø 2"	Code 859SV349INTFA
------------------------	--------------------

**For reasons of stability, interpose a support every 3 metres (recommended)**

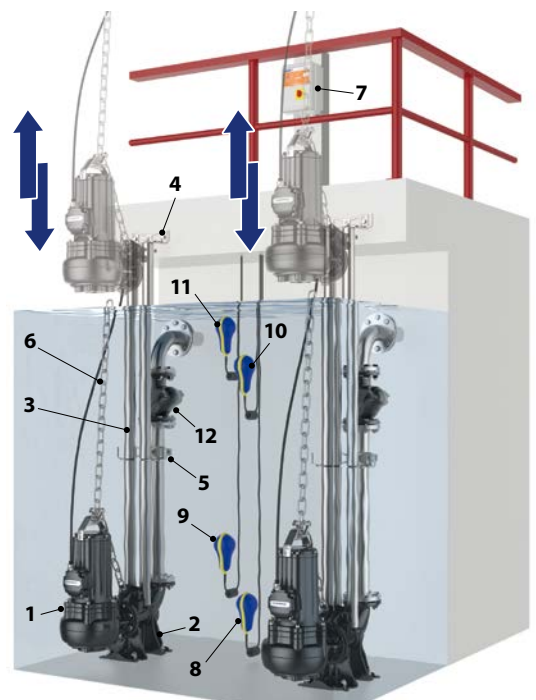
### GUIDE TUBE ( AISI 304 stainless steel)

※ 3 metres Ø 2" guide tube	Code 54SARTG0063F
※ 6 metres guide tube Ø 2"	Code 54SARTG0066F

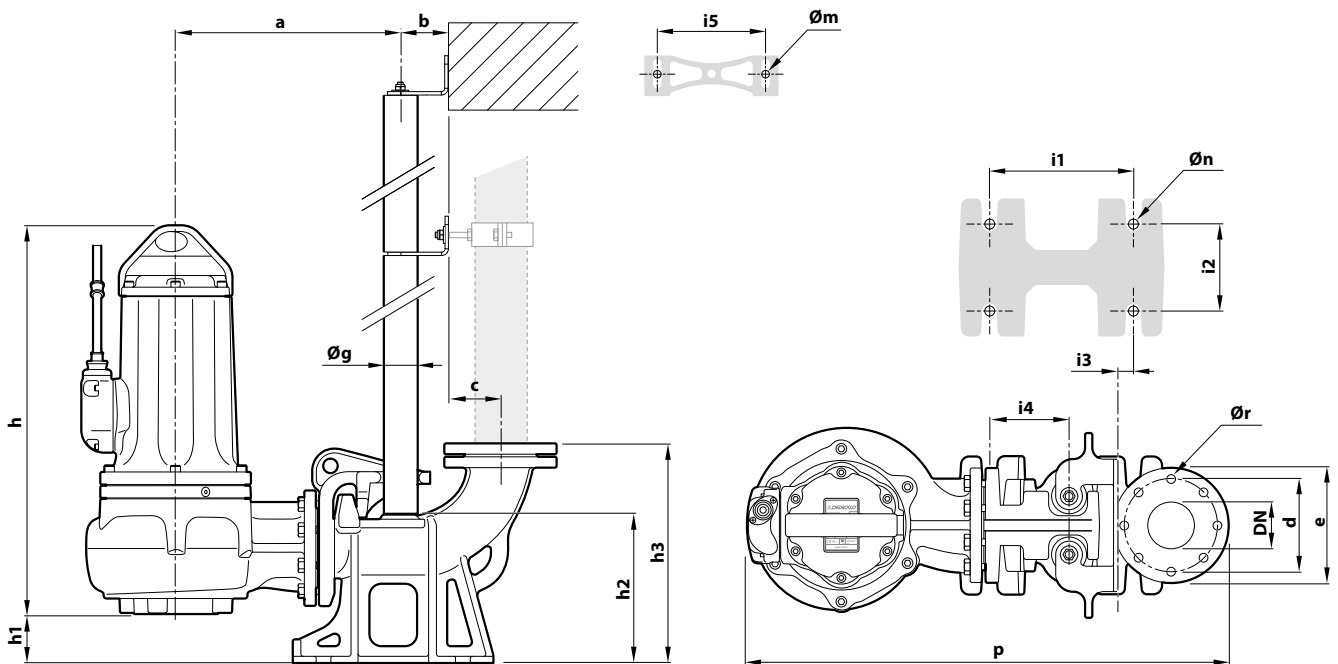


## Typical installation

1. Water pump
2. Pump Base
3. Guide Rails
4. Upper Guide Rail Support
5. Intermediate Guide Rail Support
6. Lifting chain
7. Control Panel
8. Stop Float Switch
9. Start Float Switch
10. Supplementary pump start float switch
11. Alarm float
12. Check val



## DIMENSIONS



TYPE	Passage of solid bodies mm	PORT DN	DIMENSIONS mm																			
			a	b	c	d	e	p	h	h1	h2	h3	i1	i2	i3	i4	i5	Øg	Øm	Øn	Ør	
<b>Three-phase</b>																						
<b>VXC4-40/100</b>	<b>Ø 100 mm</b>	<b>4"</b>	376	85	105	180	220	841	695	107	266	426	250	150	34	130	186	2"	13	16	18	
<b>VXC4-50/100</b>																						
<b>VXC4-55/100</b>																						

TYPE	Passage of solid bodies mm	PORT DN	DIMENSIONS mm																			
			a	b	c	d	e	p	h	h1	h2	h3	i1	i2	i3	i4	i5	Øg	Øm	Øn	Ør	
<b>Three-phase</b>																						
<b>MC4-40/55</b>	<b>Ø 55 mm</b>	<b>3"</b>	396	85	95	160	200	841	680	92	256	592	250	150	34	130	186	2"	13	16	18	
<b>MC4-50/55</b>																						
<b>MC4-55/55</b>																						