

# PQ 3000

## Peripheral impeller pumps



### INSTALLATION AND USE

- Designed to transfer clean water free from abrasive particles and liquids that will not damage the pump's components.
- Its hydraulic characteristics make it suitable for **industrial applications**.
- **PQ3000** pump's body is available in cast iron (cost-effective) or micro-cast stainless steel.

### APPLICATION LIMITS

- Manometric suction head up to **8 m**
- Liquid temperature between **-10 °C** and **+90 °C**
- Ambient temperature between **-10 °C** and **+50 °C**
- Maximum working pressure **18 bar**

### AVAILABLE UPON REQUEST

- ✘ Mechanical seal options available
- ✘ Shaft in stainless steel AISI 316 EN 10088-3 - 1.4401
- ✘ Different voltage requirements 60 Hz frequency

### PATENTS - TRADE MARKS - MODELS

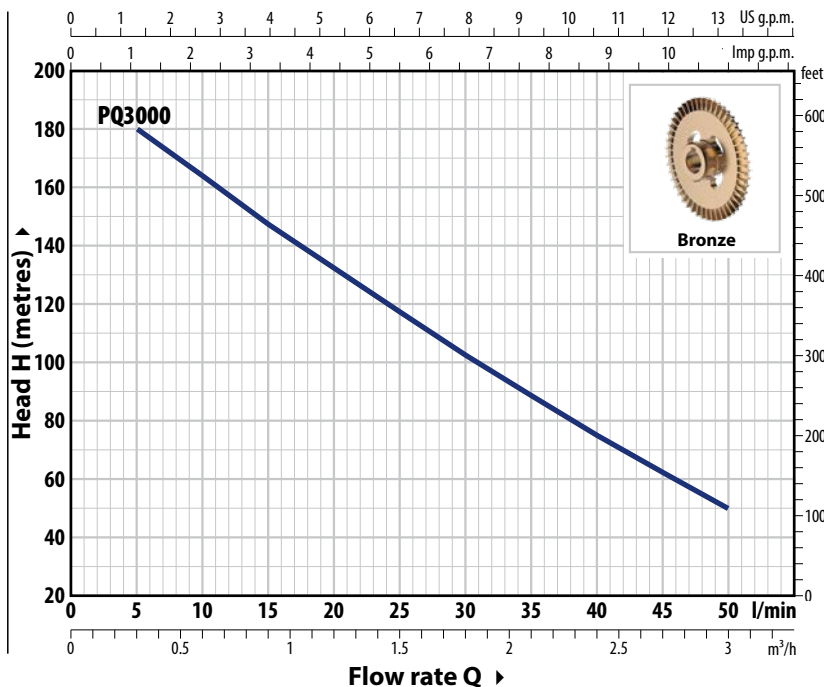
- Registered community model  
No. 002714469 for PQ 3000-MF



**PQ 3000**  
(cast iron)

**PQ 3000-MF**  
(Stainless steel)

### CURVES AND PERFORMANCE DATA – HS=0 m 50 Hz



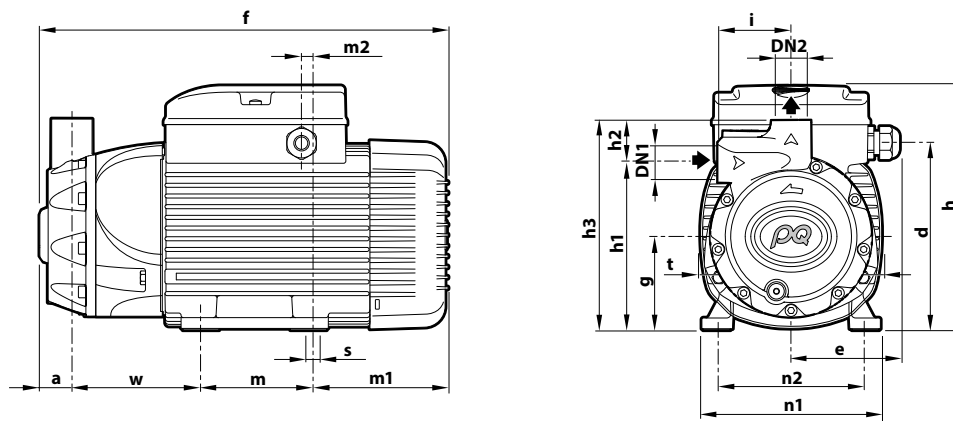
### ABSORPTION

TYPE	VOLTAGE	
	230 V - Δ	400 V - 人
<b>PQ 3000</b>	12.9 A	7.5 A
<b>PQ 3000-MF</b>	12.9 A	7.5 A

TYPE	POWER (P <sub>2</sub> )		3~	Q	Flow rate									
	kW	HP			m³/h	0.3	0.6	0.9	1.2	1.5	1.8	2.1	2.4	2.7
<b>Three-phase</b>					5	10	15	20	25	30	35	40	45	50
<b>PQ 3000</b>	2.2	3	IE3	H metres	180	164	148	132	117	103	89	75.5	62.5	50
<b>PQ 3000-MF</b>	2.2	3			180	164	148	132	117	103	89	75.5	62.5	50

Q = Flow rate H = Total manometric head HS = Suction height

Performance curves comply with EN ISO 9906 Grade 3B tolerance limits.



TYPE	PORTS		DIMENSIONS mm																	kg	PALLET CAPACITY	
	DN1	DN2	a	d	e	f	g	h	h1	h2	h3	i	m	m1	m2	n1	n2	t	w			s
<b>Three-phase</b>																						
<b>PQ 3000</b>	¾"	¾"	37	157.5	92	356	80	211	142	36	178	62	100	114	11	151	125	155	105	9	19.9	72
<b>PQ 3000-MF</b>			28			347															19.1	72

## CONSTRUCTION FEATURES

- |                          |  |      |           |                 |                        |
|--------------------------|--|------|-----------|-----------------|------------------------|
| <b>1 Pump body</b>       | <ul style="list-style-type: none"> <li>✘ PQ 3000: <b>cast iron</b> with anti-blocking treatment with ISO 228/1 threaded ports</li> <li>✘ PQ 3000-MF: <b>stainless steel AISI 316</b> with ISO 228/1 threaded ports</li> </ul>  |      |           |                 |                        |
| <b>2 Cover seal</b>      | Stainless steel <b>AISI 316</b>  |      |           |                 |                        |
| <b>3 Motor bracket</b>   | Aluminum   |      |           |                 |                        |
| <b>4 Impeller</b>        | <b>Bronze</b> , radial peripheral vane type  |      |           |                 |                        |
| <b>5 Mechanical seal</b> | <table border="0"> <tr> <td>Type</td> <td>Materials</td> </tr> <tr> <td><b>FN-18 NU</b></td> <td>Graphite/ Ceramic/ NBR</td> </tr> </table>  | Type | Materials | <b>FN-18 NU</b> | Graphite/ Ceramic/ NBR |
| Type                     | Materials  |      |           |                 |                        |
| <b>FN-18 NU</b>          | Graphite/ Ceramic/ NBR   |      |           |                 |                        |
| <b>6 Motor shaft</b>     | Stainless steel <b>AISI 431</b>  |      |           |                 |                        |
| <b>7 Electric motor</b>  | Three-phase 230/400 V - 50 Hz<br><ul style="list-style-type: none"> <li>✘ The pumps are equipped with motors (IEC 60034-30-1) in class <b>IE3</b></li> <li>- Continuous running duty <b>S1</b></li> <li>- Insulation: class F</li> <li>- Protection rating: IP X5</li> </ul> |      |           |                 |                        |

