

-  Sewage
-  Domestic use
-  Civil use
-  Industrial use

※ They are recommended when a pump of high efficiency, quality and durability is required



※ Constructed entirely from stainless steel, VX-MF submersible pumps offer superior corrosion and abrasion.

### PERFORMANCE RANGE

- Flow rate up to **750 l/min** (45 m<sup>3</sup>/h)
- Head up to **15.5 m**

### INSTALLATION AND USE

The **VX-MF** micro-cast stainless steel submersible pumps are designed for demanding working conditions, ideal for sewage drainage in **domestic, civil, and industrial settings** where suspended solids are present, such as water mixed with sludge, groundwater, or surface water. such as sludge-mixed water, groundwater, or surface water.

They are also perfect for pumping out flooded areas like basements, underground parking garages, car wash stations, and emptying septic tanks and sewage systems.

※ The hydraulic configuration of the **VORTEX** volute and impeller results from advanced fluid dynamics calculations, delivering superior performance and efficiency for notable energy savings.

※ The **VORTEX** impeller can handle solids up to **50 mm** in diameter. Its unique design ensures safe operation against clogging.

### INCLUDES

- ※ Power cable length **10 m**
- ※ Float switch (exclusive to single-phase models)

### APPLICATION LIMITS

- Depth below water level up to **5 m** (with an appropriately sized power cable)
- Liquid temperature up to **+40 °C**
- Suspended solids transfer:
  - up to **Ø 40 mm** for VX /35-MF
  - up to **Ø 50 mm** for VX /50-MF
- **Minimum immersion for continuous service:**
  - **290 mm** for VX 8-MF and VX 10-MF
  - **330 mm** for VX 15-MF
  - **360 mm** for VX 20-MF

### AVAILABLE UPON REQUEST

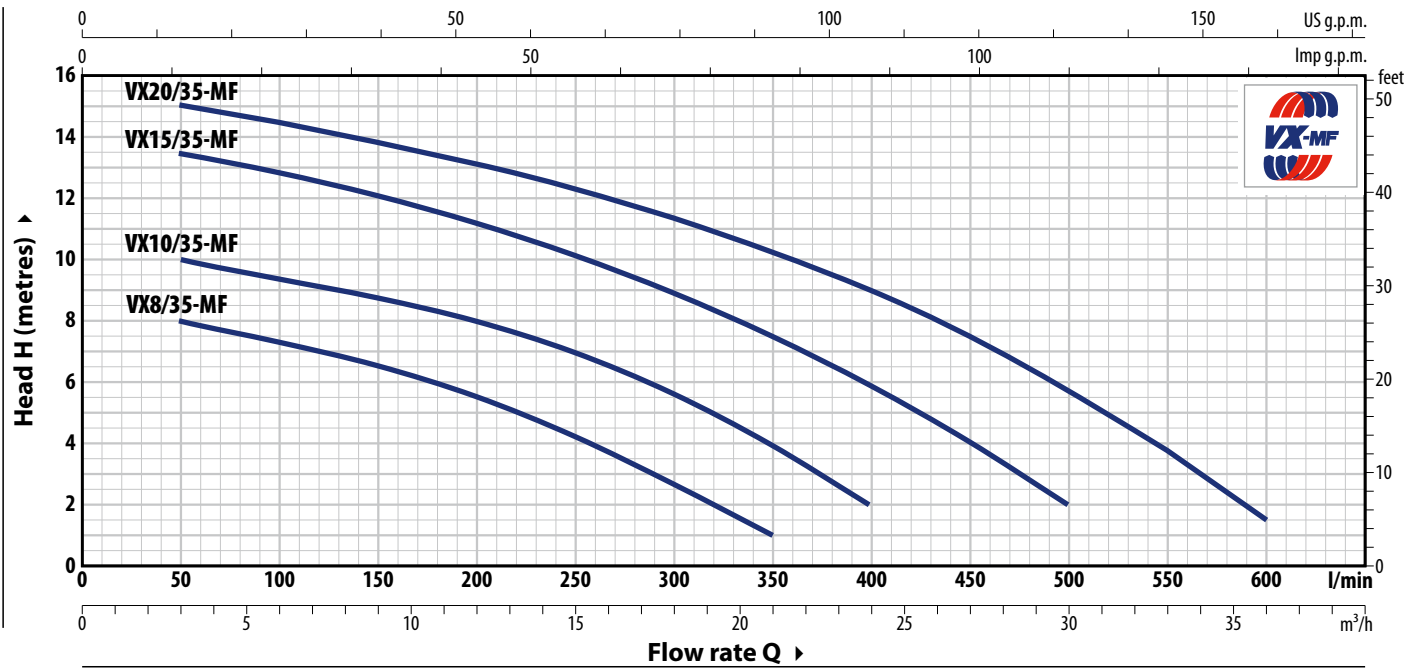
- ※ Different voltage requirements 60 Hz frequency

### PATENTS - TRADE MARKS - MODELS

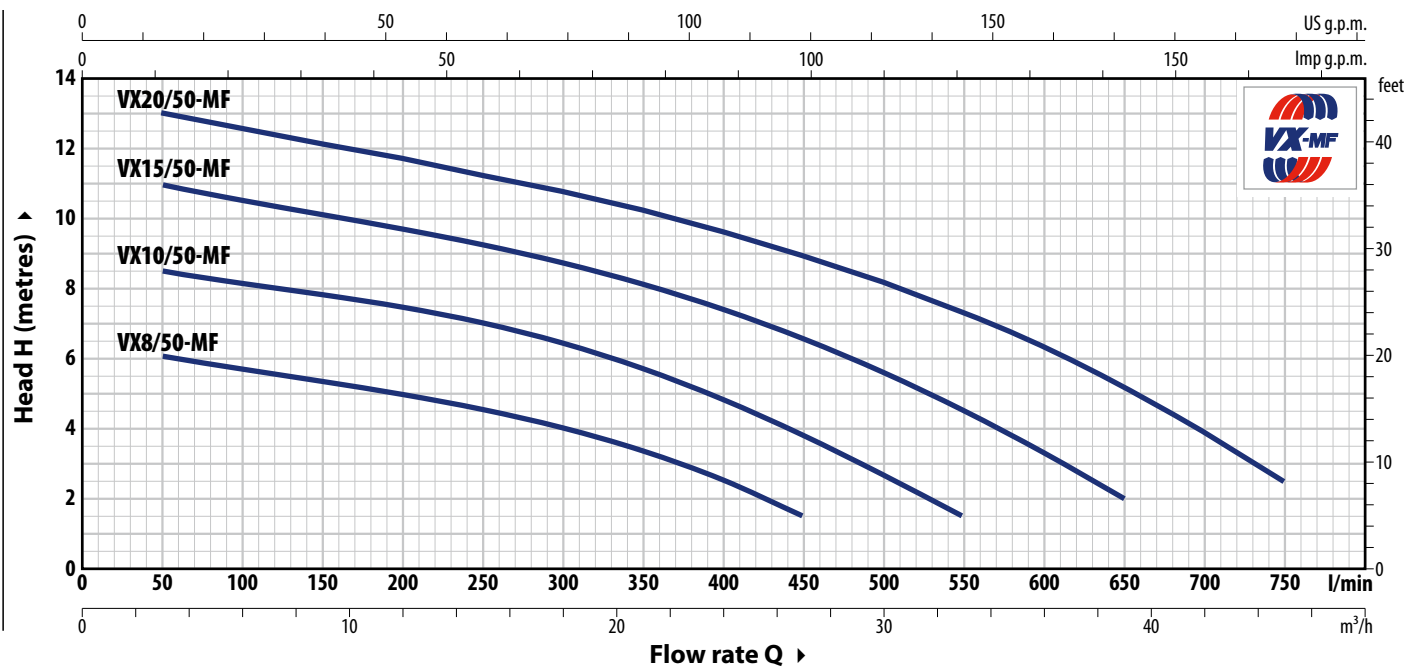
- Patent No. EP2313658
- Patent No. IT0001428923

**CURVES AND PERFORMANCE DATA**

**50 Hz**



TYPE		POWER (P <sub>2</sub> )		Q	Flow rate												
Single-phase	Three-phase	kW	HP		m <sup>3</sup> /h	0	3	6	12	18	21	24	27	30	33	36	
VXm 8/35 -MF	VX 8/35 -MF	0.55	0.75	H metres	0	50	100	200	300	350	400	450	500	550	600		
VXm 10/35-MF	VX 10/35-MF	0.75	1		9	8	7.5	5.5	2.7	1							
VXm 15/35-MF	VX 15/35-MF	1.1	1.5		11	10	9.5	8	5.7	4	2						
VXm 20/35-MF	VX 20/35-MF	1.5	2		14	13.5	12.8	11.2	9	7.7	6	4	2				
					15.5	15	14.5	13	11.5	10.3	9	7.5	5.8	3.8	1.5		



TYPE		POWER (P <sub>2</sub> )		Q	Flow rate												
Single-phase	Three-phase	kW	HP		m <sup>3</sup> /h	0	3	6	12	18	24	27	30	33	36	39	45
VXm 8/50 -MF	VX 8/50 -MF	0.55	0.75	H metres	0	50	100	200	300	400	450	500	550	600	650	750	
VXm 10/50-MF	VX 10/50-MF	0.75	1		6.5	6	5.8	5	4	2.5	1.5						
VXm 15/50-MF	VX 15/50-MF	1.1	1.5		9	8.5	8.2	7.5	6.5	5	3.8	2.5	1.5				
VXm 20/50-MF	VX 20/50-MF	1.5	2		11.5	11	10.5	9.8	8.7	7.5	6.5	5.5	4.5	3.5	2		
					13.5	13	12.5	11.5	10.7	9.5	9	8	7.5	6.5	5	2.5	

Q = Flow rate H = Total manometric head

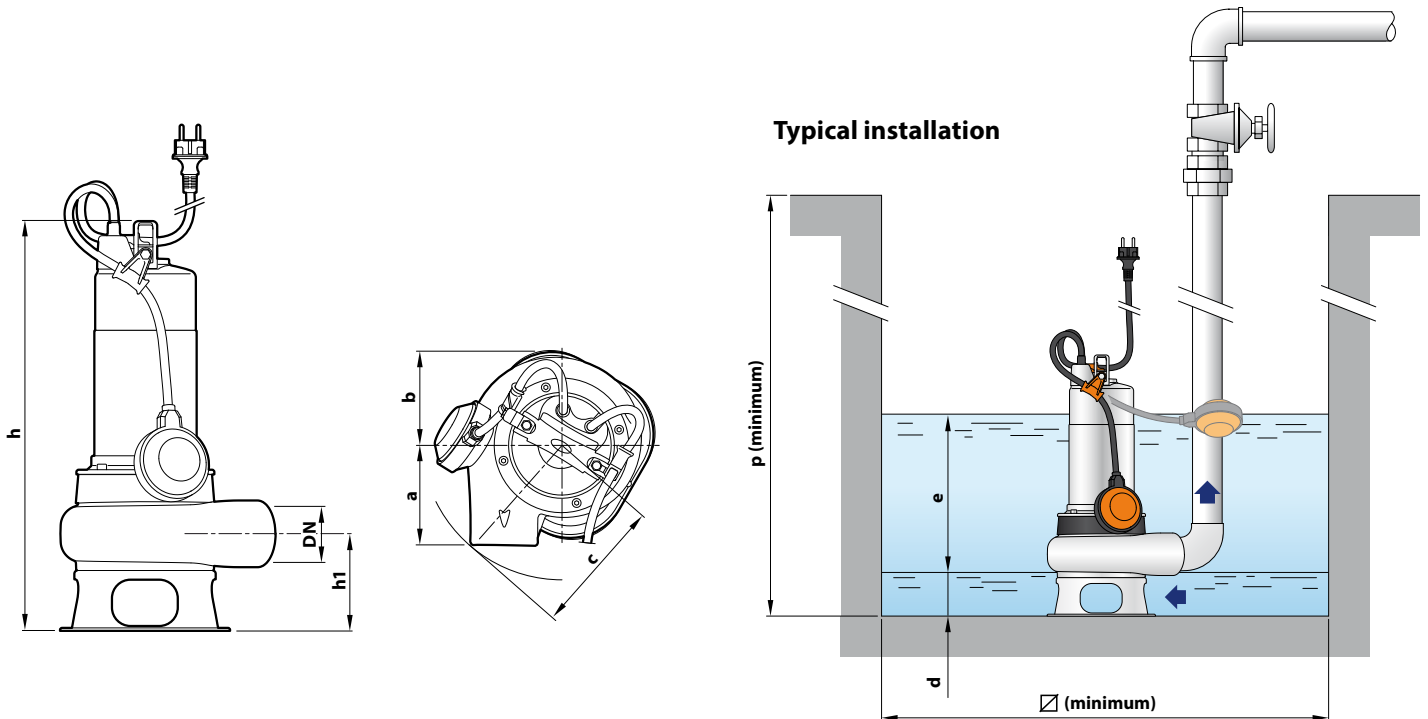
Performance curves comply with EN ISO 9906 Grade 3B tolerance limits.

### ABSORPTION

TYPE	VOLTAGE
<b>Single-phase</b>	<b>230 V</b>
VXm 8/35 -MF	4.3 A
VXm 10/35-MF	5.5 A
VXm 15/35-MF	7.0 A
VXm 20/35-MF	9.6 A
VXm 8/50 -MF	4.3 A
VXm 10/50-MF	5.5 A
VXm 15/50-MF	7.0 A
VXm 20/50-MF	9.6 A

TYPE	VOLTAGE
<b>Three-phase</b>	<b>400 V</b>
VX 8/35 -MF	1.6 A
VX 10/35-MF	2.2 A
VX 15/35-MF	2.7 A
VX 20/35-MF	3.7 A
VX 8/50 -MF	1.6 A
VX 10/50-MF	2.2 A
VX 15/50-MF	2.7 A
VX 20/50-MF	3.7 A

### DIMENSIONS AND WEIGHT



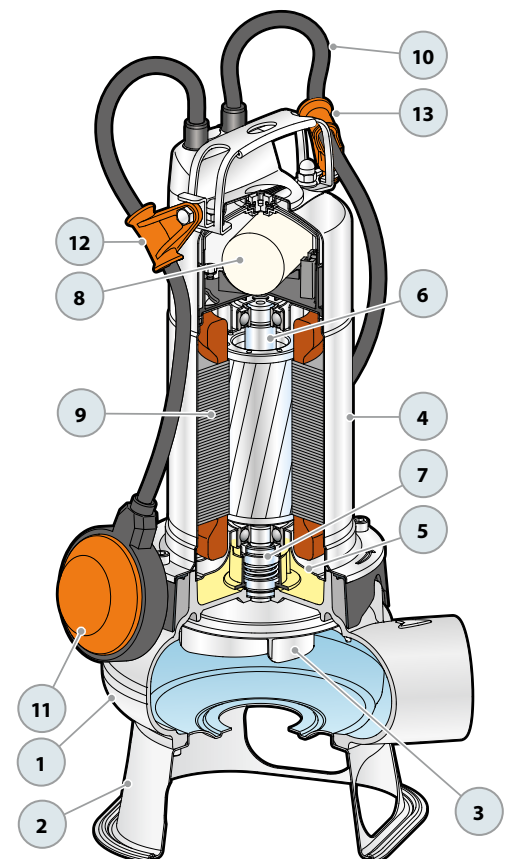
TYPE		PORT DN	Passage of solid bodies	DIMENSIONS mm									kg	
Single-phase	Three-phase			a	b	c	h	h1	d	e	p	∅	1~	3~
VXm 8/35 -MF	VX 8/35 -MF	1½"	∅ 40 mm	107	97	148	424	105	55	adjustable	500	500	12.9	11.8
VXm 10/35-MF	VX 10/35-MF						439						14.4	13.2
VXm 15/35-MF	VX 15/35-MF						472						17.2	15.6
VXm 20/35-MF	VX 20/35-MF						502						19.4	17.2
VXm 8/50 -MF	VX 8/50 -MF	2"	∅ 50 mm	112	97	149	435	107	60	adjustable	500	500	13.2	12.1
VXm 10/50-MF	VX 10/50-MF						450						14.7	13.5
VXm 15/50-MF	VX 15/50-MF						483						17.5	15.9
VXm 20/50-MF	VX 20/50-MF						513						19.7	17.5

### PALLET CAPACITY

TYPE		NO. OF PUMPS
Single-phase	Three-phase	
VXm 8/35 -MF	VX 8/35 -MF	45
VXm 10/35-MF	VX 10/35-MF	45
VXm 15/35-MF	VX 15/35-MF	30
VXm 20/35-MF	VX 20/35-MF	30
VXm 8/50 -MF	VX 8/50 -MF	45
VXm 10/50-MF	VX 10/50-MF	45
VXm 15/50-MF	VX 15/50-MF	30
VXm 20/50-MF	VX 20/50-MF	30

## MATERIALS AND COMPONENTS

<b>1 Pump body</b>	Micro-cast <b>AISI 316L</b> stainless steel with ISO 228/1 threaded port		
<b>2 Base</b>	Stainless steel <b>AISI 304</b>		
<b>3 Impeller</b>	VORTEX type in <b>AISI 304</b> stainless steel.		
<b>4 Motor sleeve</b>	Stainless steel <b>AISI 304</b>		
<b>5 Motor cover</b>	<b>AISI 304</b> stainless steel for VX 8-10 MF Cast iron with cataphoresis treatment for VX 15-20 MF		
<b>6 Motor shaft</b>	Stainless steel <b>AISI 316L</b>		
<b>7 Double mechanical seal in oil chamber</b>			
Seal	Shaft	Location	Materials
<b>MG1-14D SIC</b>	Ø 14 mm	Motor side Pump side	Silicon carbide / Graphite / NBR Silicon carbide/Silicon carbide/NBR
<b>8 Capacitor</b>	(exclusive to single-phase models)		
<b>9 Electric motor</b>			
<b>VXm-MF:</b>	single-phase 230 V - 50 Hz with winding integrated thermal motor protection		
<b>VX-MF:</b>	three-phase 400 V - 50 Hz		
	– Insulation: class F		
	– Protection rating: IP X8		
<b>10 Power cord</b>			
	Power cable encapsulated with epoxy resin both in the grommet area and where the conductors exit the sheath, for absolute insulation against moisture and water.		
	Type 'H07 RN-F (Schuko plug exclusive to single-phase models)		
	※ Standard length 10 metres		
<b>11 Float switch</b>	(exclusive to single-phase models)		
<b>12 Tilting device for the float cable</b>	(exclusive to single-phase models)		
	Patent No. IT0001428923		
<b>13 Power cable strain relief</b>			
	Patent No. EP2313658		



# SEWAGE LIFTING SYSTEM KIT VX-MF - BC-MF

## VERSION WITH HORIZONTAL DELIVERY AND 3/4" GUIDE PIPES

For <b>VX /35-MF</b>	CODE ASSPVX35ST	DN <b>2"</b>
Per <b>VX /50-MF , BC /50-MF</b>	CODE ASSPVX50ST	DN <b>2"</b>

※ Kit consisting of:



Coupling foot



Solids rail with ring nut and seal



Support for guide tubes



## VERSION WITH VERTICAL DELIVERY AND 3/4" GUIDE PIPES

For <b>VX /35-MF</b>	CODE ASSPVX35STV	DN <b>2 1/2"</b>
For <b>VX /50-MF , BC /50-MF</b>	CODE ASSPVX50STV	DN <b>2 1/2"</b>

※ Kit consisting of:



Coupling foot complete with counterflange



Solids rail with ring nut and seal



Support for guide tubes



## ● ACCESSORIES AVAILABLE FOR ORDER

### RUNNING GUIDE

※ For <b>VX /35-MF</b>	CODE ASSFL005
※ For <b>VX /50-MF , BC /50-MF</b>	CODE ASSFL006

Complete with ring nut and gasket



### GUIDE TUBE SUPPORT

※ For Ø 3/4 " guide tubes	CODE 859SV340INTFA
---------------------------	--------------------

To ensure stability, insert a support every 2 metres along the guide tube

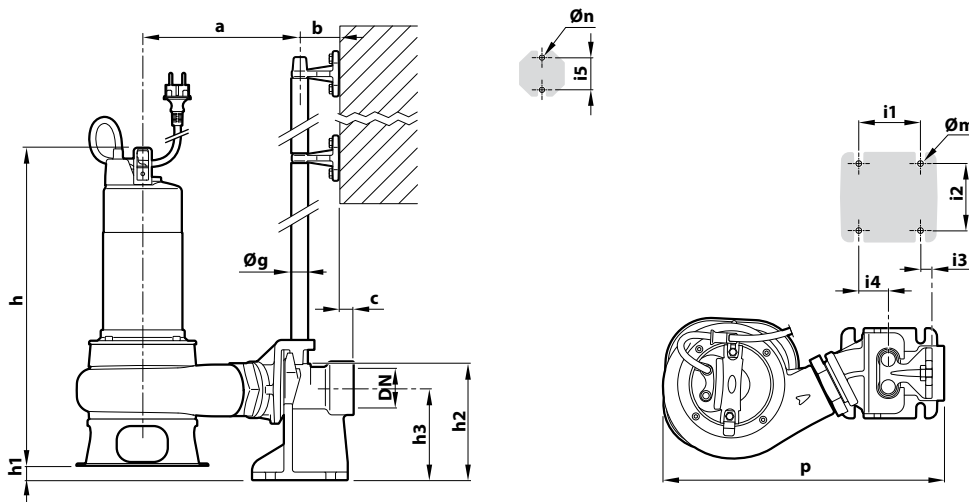


### GUIDE TUBE (AISI 304 stainless steel)

※ 2 metres Ø 3/4" guide tube	CODE 54SARTG0052F
※ 3 metres Ø 3/4" guide tube	CODE 54SARTG0053F
※ 6 metres Ø 3/4" guide tube	CODE 54SARTG0056F

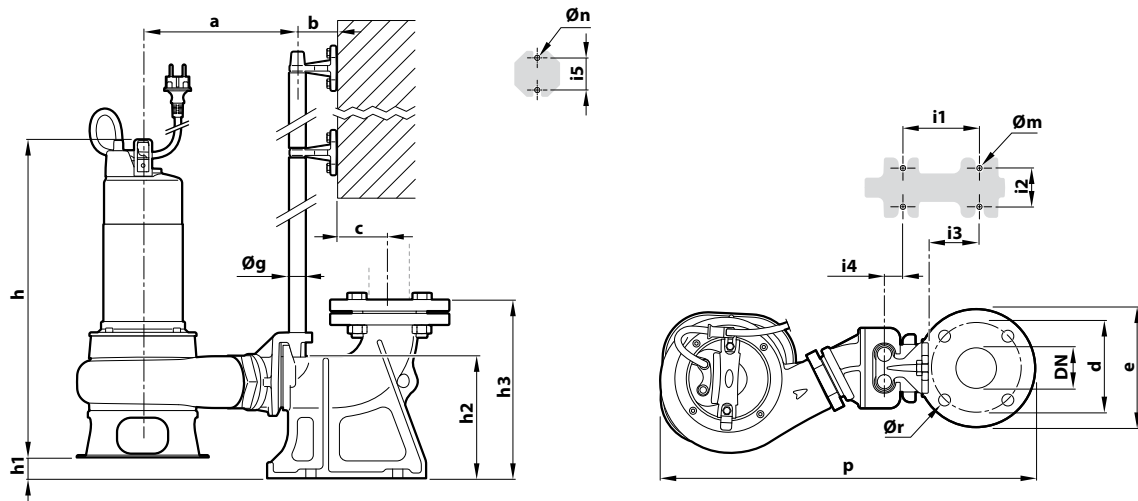


### DIMENSIONS (Version with horizontal outlet)



TYPE		Passage of solid bodies mm	PORT DN	DIMENSIONS mm															
Single-phase	Three-phase			a	b	c	p	h	h1	h2	h3	i1	i2	i3	i4	i5	Øg	Øm	Øn
VXm 8/35 -MF	VX 8/35 -MF	40	2"	222			395	424	25										
VXm 10/35 -MF	VX 10/35 -MF							439											
VXm 15/35 -MF	VX 15/35 -MF							472											
VXm 20/35 -MF	VX 20/35 -MF							502											
VXm 8/50 -MF	VX 8/50 -MF	50	2"	226	61	17	398	435	23	165	130	85	94	16	40	50	¾"	12	11
VXm 10/50 -MF	VX 10/50 -MF							450											
VXm 15/50 -MF	VX 15/50 -MF							483											
VXm 20/50 -MF	VX 20/50 -MF							513											
BCm 10/50 -MF	BC 10/50 -MF	50	2"					450											
BCm 15/50 -MF	BC 15/50 -MF							483											
BCm 20/50 -MF	BC 20/50 -MF							513											

### DIMENSIONS (Version with vertical delivery)



TYPE		Passage of solid bodies mm	PORT DN	DIMENSIONS mm																			
Single-phase	Three-phase			a	b	c	d	e	p	h	h1	h2	h3	i1	i2	i3	i4	i5	Øg	Øm	Øn	Ør	
VXm 8/35 -MF	VX 8/35 -MF	40	2½"	215					503	23													
VXm 10/35 -MF	VX 10/35 -MF																				439		
VXm 15/35 -MF	VX 15/35 -MF																				472		
VXm 20/35 -MF	VX 20/35 -MF																				502		
VXm 8/50 -MF	VX 8/50 -MF	50	2½"	217	61	52	125	165	507	21	164	215	120	72	62	3	50	¾"	14	11	18		
VXm 10/50 -MF	VX 10/50 -MF																					450	
VXm 15/50 -MF	VX 15/50 -MF																					483	
VXm 20/50 -MF	VX 20/50 -MF																					513	
BCm 10/50 -MF	BC 10/50 -MF	50	2½"																				
BCm 15/50 -MF	BC 15/50 -MF																				450		
BCm 20/50 -MF	BC 20/50 -MF																				483		